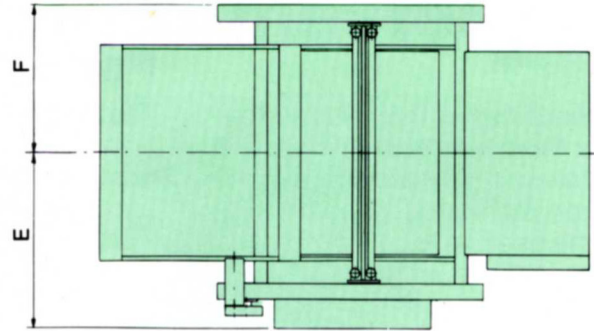
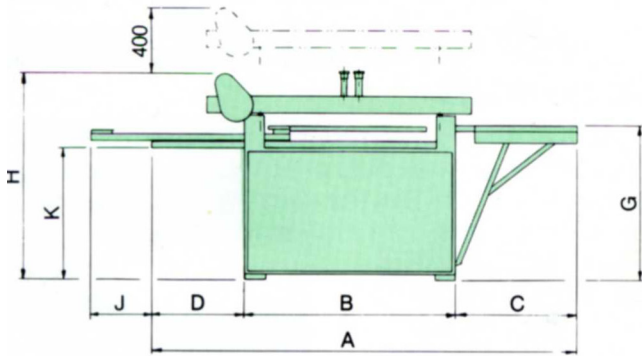
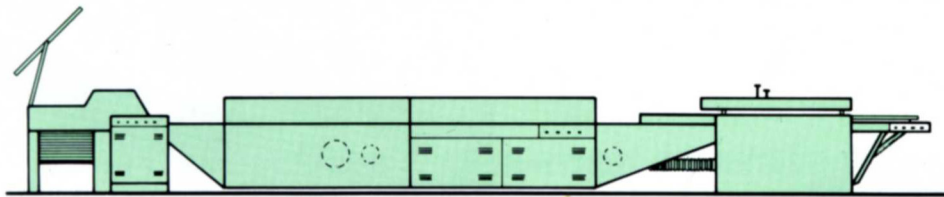


Technical data, Svecia Print Master SPM



Size	A	B	C	D	E	F	G	H	J	K
765 × 1070	2630	1340	770	520	1075	910	960	1270	380	820
880 × 1250	3010	1490	895	625	1175	1010	1070	1380	425	930
1000 × 1400	3550	1750	1070	730	1400	1200	1070	1470	470	900
1200 × 1600	3950	1900	1220	830	1480	1280	1070	1470	520	900



SPM-LINE Size	Total length
765 × 1070	9785
880 × 1250	10260
1000 × 1400	10700
1200 × 1600	11200

Model code		SPM	SPM	SPM	SPM
Max print area (—10 mm gripper margin)	mm in	765 × 1070 30 ¹ / ₂ × 42 ¹ / ₈	880 × 1250 34 ⁵ / ₈ × 49 ¹ / ₄	1000 × 1400 39 ³ / ₄ × 55 ¹ / ₈	1200 × 1600 47 ¹ / ₄ × 63
Max frame size (other dimensions)	mm in	1200 × 1390 47 ¹ / ₄ × 54 ³ / ₄	1350 × 1590 53 ¹ / ₄ × 62 ⁵ / ₈	1550 × 1850 61 × 72 ⁷ / ₈	1700 × 2100 66 ³ / ₈ × 82 ⁵ / ₈
Max stock thickness	mm	2.5	2.5	2.5	2.5
Machine, net weight	kg	600	660	850	980
Max stock weight, per sheet*	kg	1.5	1.5	2.0	2.0
Squeegee speeds**	m/sec	0.5—0.8—1.0	0.5—0.8—1.0	0.5—0.8—1.0	0.5—0.8—1.0
Squeegee angle adjustment		0—30°	0—30°	0—30°	0—30°
Squeegee vertical adjustment	mm	50	50	50	50
Flood-coater vertical adjustment	mm	50	50	50	50
Fine register adjustment in both planes	mm in	± 16 ± ⁵ / ₈	± 16 ± ⁵ / ₈	± 16 ± ⁵ / ₈	± 16 ± ⁵ / ₈
Snap-off, variable	mm	0—25	0—25	0—25	0—25
Max output at max stroke length***	iph	1200	1050	900	800
Max output at min stroke length***	iph	1450	1200	1000	900
Current rating****		3 kW	14 A at 380 V	19 A at 220 V	4 kW 21A at 380 V 25 A at 220 V

- * Heavier material can be printed in special executions.
- ** Optional infinitely variable speed 0,1—1,5 m/sec.
- *** Feeding time may need to be added to this.
- **** Available for other electrical supplies.